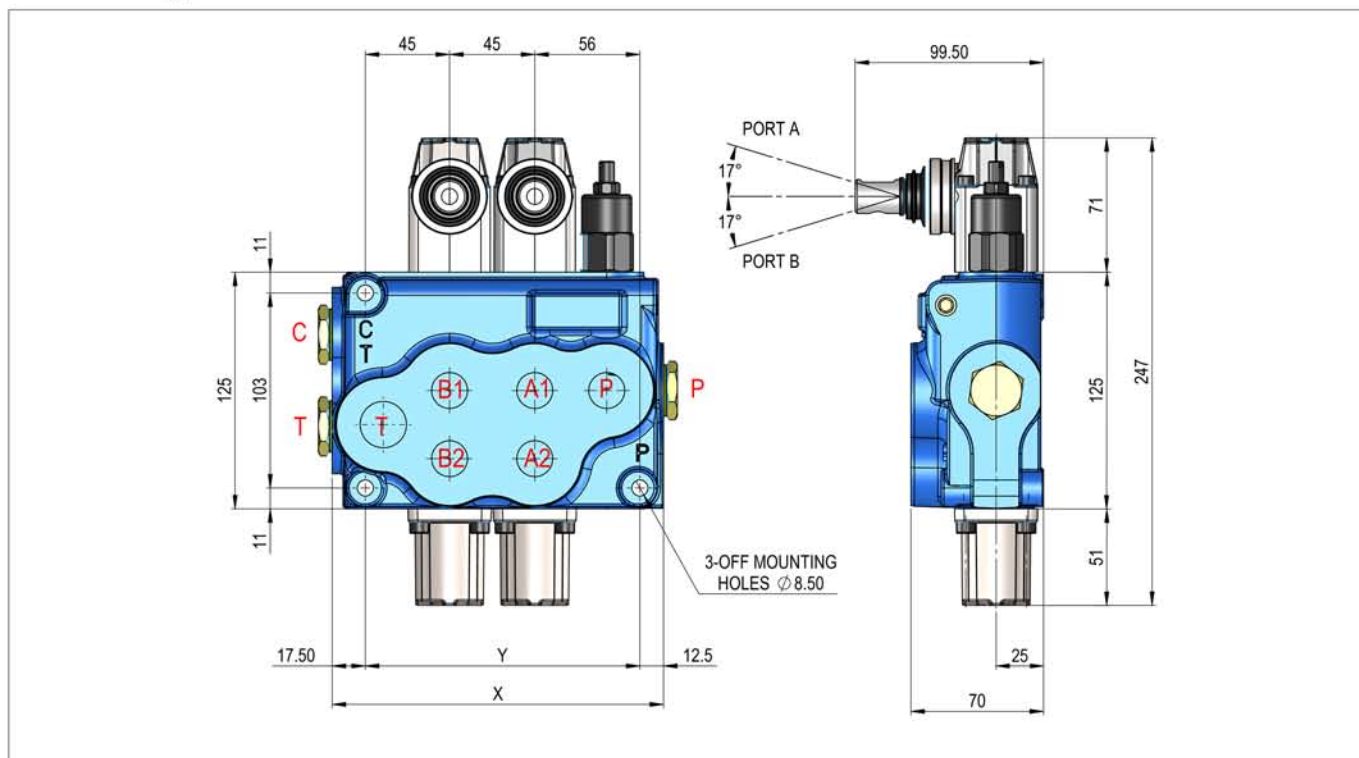
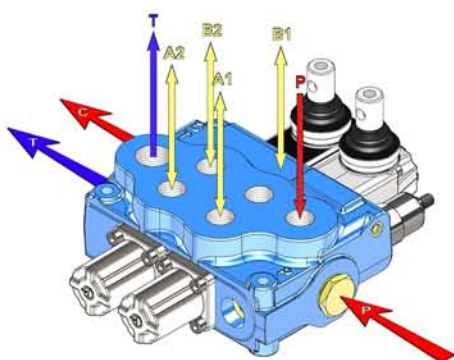


# MONOBLOCK VALVES

## MB5 Range



Part No	X (mm)	Y (mm)	Inlet P	A & B	Outlet T & C
MB5/1	130	100	3/4 BSP	1/2 BSP	3/4 BSP
MB5/2	175	145	3/4 BSP	1/2 BSP	3/4 BSP
MB5/3	220	190	3/4 BSP	1/2 BSP	3/4 BSP
MB5/4	265	235	3/4 BSP	1/2 BSP	3/4 BSP
MB5/5	310	280	3/4 BSP	1/2 BSP	3/4 BSP
MB5/6	355	325	3/4 BSP	1/2 BSP	3/4 BSP



### Note!

When using the pressure carry over facility you must install the plug provided inside the carry over port and the tank port must also be connected as normal. Please add Part No: PBMB5 power beyond plug.

Nominal Flow Rate		90 L/min
Operating Pressure (Max)	Parallel or tandem circuit	315 bar
	Series circuit	210 bar
Back Pressure (Max)	On outlet port T	25 bar
Fluid Temp Range	With NBR (BUNA-N) seals	From -20°C to 80°C
Viscosity	Min	12 cst
	Max	400 cst
Ambient Temp Range		From -40°C to 60°C